



OmniSwitch 6800 Family



The Best Value in Advanced Gigabit Ethernet Switching
Enterprise-wide manageability, availability and security





The way enterprise networks are used today has changed how switches must perform and the capabilities they need to have at the edge of the network. More users are mobile today and not just within an office building. Today, they work from across campus, across town, and across the country over wireless and wired connections. Users need to be able to have access to voice, video, and data applications, yet do so securely, from any of those locations. To address these needs, enterprise networks require intelligent workgroup switches that deliver high throughput, are highly available, are easily managed, and provide secure LAN access for mobile users.

The Alcatel OmniSwitch 6800 family of stackable Ethernet switches were designed to meet these changing needs. They are fixed configuration, triple-speed (10/100/1000) switches that deliver the advanced features and services required today with the ability to expand to meet the needs of tomorrow. The OS6800 increases network performance, improves application response times, secures the LAN, and enhances user productivity by maximizing mobility, network capacity, and services over existing category 5/5E/6 cabling.

The OS6800 provides wire rate layer-2 forwarding and layer-3 routing with advanced security, unicast and multicast routing, and comprehensive QoS services. Dynamic user mobility with authentication allows users to connect securely anywhere in the LAN using 802.1x. This, in conjunction with emerging host security technologies, provides a method to verify end users and their device status. The OS6800 also supports Alcatel's Automated Quarantine Engine (AQE), which provides the enterprise the ability to automatically react to network-based attacks, quarantining the offending device throughout the network.

With triple-speed capability, built-in combo ports (four 10/100/1000 and four mini-GBIC) and support for optional wire speed, two port, 10 Gigabit Ethernet modules, the small to large enterprise can now simultaneously protect its current investment in legacy end devices while providing seamless migration in the future.

A compact, one unit (1U) high form factor, virtual chassis design and a comprehensive set of features makes the OS6800 perfect for the following applications:

- **Enterprise workgroups / LAN wiring closets**
- **Edge deployments and branch offices**
- **L3 aggregation / distribution layer switches in three-tier networks**
- **Small enterprise core switching**
- **Quality of service (QoS) for mission critical applications**
- **Data center server clusters**

Alcatel OmniSwitch 6800 Family



OmniSwitch 6800L

The OmniSwitch 6800L (OS6800L) switches are the ONLY ones on the market that provide industry leading advanced features and performance at 10/100 speeds that are easily and inexpensively upgraded via a software key to 10/100/1000. Network managers can turn on this gigabit capability to the desktop on a switch-by-switch basis as their bandwidth needs grow.

The OmniSwitch 6800 switches currently available are:

OS6800-24, which is a Gigabit Ethernet L3 stackable fixed configuration chassis in a 1U form factor with 24 operational ports. There are 24 10/100/1000 RJ-45 ports and four miniGBIC ports. The last four RJ-45 ports (ports 21-24), and the miniGBIC ports (also numbered 21-24) are combo ports providing the user a choice of copper or fiber.*

OS6800-24L, which is a low-priced, dual-speed (10/100) stackable fixed configuration chassis in a 1U form factor that is upgradeable to GigE through a software license. It provides wire rate layer-2 forwarding and layer-3 routing plus the same advanced security, routing, and QoS services as the OS6800-24. On the OS6800L-24, there are 24 operational ports on the switch. 20 are 10/100 RJ-45 ports (software key upgradeable to 10/100/1000), four are 10/100/1000 RJ-45 combo ports (ports 21-24), and there are four miniGBIC combo ports (also numbered 21-24) providing the user a choice of copper or fiber.*

OS6800-48, which is a Gigabit Ethernet L3 stackable fixed configuration chassis in a 1U form factor with 48 operational ports plus support for an optional two port 10G module. There are 48 10/100/1000 RJ-45 ports and four miniGBIC ports. The last four RJ-45 ports (ports 45-48), and the miniGBIC ports (also numbered 45-48) are combo ports providing a choice of copper or fiber.*

OS6800-48L which is a low-priced, dual-speed (10/100) stackable fixed configuration chassis in a 1U form factor that is upgradeable to GigE through a software license. It provides wire rate layer-2 forwarding and layer-3 routing plus the same advanced security, routing, and QoS services as the OS6800-48. The OS6800-48L has 48 operational ports of which 44 are 10/100 RJ-45 ports (software key upgradeable to 10/100/1000) plus support for an optional two port 10G module. For the four remaining ports (45-48), the user has an option of copper (10/100/1000 RJ-45) or miniGBIC combo port.*

OS6800-U24, Gigabit Ethernet L3 standalone fixed configuration chassis in a 1U form factor with 24 operational ports. There are 24 miniGBIC (SFP) ports and four 10/100/1000 RJ-45 ports. The last four miniGBIC (ports 21-24), and the four 10/100/1000 RJ-45 ports (also numbered 21-24) are combo ports providing a choice of copper or fiber.*



OmniSwitch OS6800-48



OmniSwitch OS6800-24L



OmniSwitch OS6800-U24



OmniSwitch OS6800-48 rear view
(Shown with optional 10G and
back up power connector modules)



OmniSwitch OS6800 power shelf
(Shown with eight OS6800-BPS power
supplies inserted)

*Combo ports on all models consist of four 10/100/1000 RJ-45 and four miniGBIC ports. These combo ports allow the use of either the copper (RJ-45) port or the fiber (miniGBIC) port of the same number.



The OS6800 family uses a modular external backup power solution that provides redundant chassis power on a 1:1 basis.

The OmniSwitch 6800 family is Alcatel's first advanced, fixed-configuration Gigabit Ethernet to the desktop family of switches. They complement the existing portfolio of Alcatel enterprise fixed-configuration workgroup switches which includes:

- **OmniStack 6100 family switches: layer 2+ 10/100 stackable**
- **OmniStack 6300 family switches: layer 2+ 10/100/1000 standalone**
- **OmniSwitch 6600 family switches: layer 3 10/100 stackable**

Alcatel's fixed configuration switches are part of the larger Alcatel enterprise portfolio that includes the modular-based OmniSwitch 7700, 7800, and 8800 series of core switches. Together, this portfolio offers a complete edge-to-core solution with high availability, intelligent performance, and enhanced security in an easy to manage, flexible and scalable package.

Alcatel understands the need to offer investment protection and provides a limited lifetime hardware warranty on OS6100, OS6300, OS6600, and OS6800 families of switches.

FEATURES:

- Fixed configuration, triple-speed (10/100/1000)
- Four mini-GBIC combo ports providing a choice of copper or fiber
- Support for two port, 10 GigE modules
- Virtual chassis design
- Supports interoperability standards
- Advanced L2-L4 QoS/ACL classification, marking and filtering
- Industry's only all fiber (OS6800-U24) Gigabit switch with full layer-3 routing and 10 GigE support.
- 802.1s Multiple Spanning Tree
- 802.1x multi-client with multi-VLAN assignment
- VLAN per port, DHCP, MAC address, IP subnet and protocol including IPv6
- OS6800 and OS6800L can be mixed in the same stack

Gigabit Ethernet

Many people get stuck on the term "Gigabit to the Desktop" because their focus is purely on speed and not on the other tangible benefits this class of switch can offer. The OS6800 provides an advanced, high performance feature set that is secure and easy to manage and provides the necessary network services to ensure the enterprise's mission critical applications are always available and meet user satisfaction needs.

Future proof

The OS6800s address the need for future proofing and Gigabit migration because they maximize the bandwidth capabilities of existing cabling plants, support legacy 10/100 devices, and offer room for growth with optional 10G connectivity. With the value the OS6800 offers, a business can invest in the future at prices it can afford today.

Additionally, the OS6800's capabilities are not just for desktop connectivity. With a 160 Gbps switching capacity and a 40 Gbps stacking bandwidth, the OS6800 can be a very cost-effective distribution layer, server aggregation, or core switch.

Alcatel OmniSwitch 6800 Family



Plus, the OS6800L switches provide even more security for your investment by being upgradeable and stackable with other OS6800s. The low entry price allows you to improve your current network's performance and later, through a software license, allows you to upgrade to GigE.

Secure Networking The OmniSwitch 6800 can support a distributed security approach, enhance emerging security technologies, and help secure the LAN edge using proactive and reactive strategies.

One proactive solution is to perform a host integrity check, which ensures attached devices are running administrator defined credentials. A host integrity check solution is significantly enhanced by the OS6800 because it can automatically move hosts that pass inspection dynamically into their proper VLAN based on the user, regardless of where they are physically, or move them into a protected environment where they could maintain limited access to network resources for remediation.

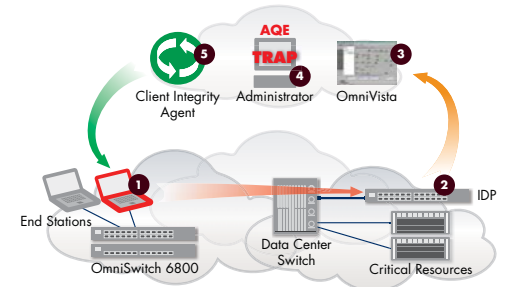
Since every security threat cannot be anticipated, the enterprise also needs a reactive security solution that can respond quickly and effectively. When the group mobility feature in the OS6800 is combined with the Alcatel Quarantine Engine (AQE) and supported intrusion detection systems (IDS), the network can automatically detect attacks and take protective action such as writing a rule that drops the device's traffic, turning off the device's connectivity to the network or quarantine it to a protected environment.

High Availability

A high performance network means nothing if it's not available for use. The OmniSwitch 6800 virtual chassis minimizes downtime, reduces operational complexity and cost, and increases availability for mission-critical applications.

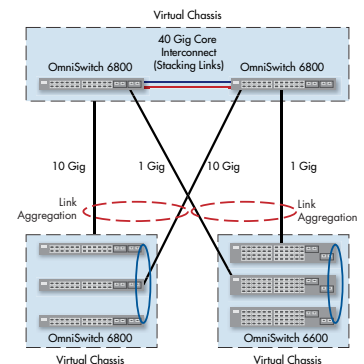
A virtual chassis takes the best availability attributes of a modular chassis like redundant management, fault tolerant backplane and link aggregation including 10 Gig that can be configured across physical switch boundaries. These attributes remove single points of failure that other stackable switches do not address.

A cost effective, highly available, scalable, and re-configurable network can be achieved when the virtual chassis benefits of the OS6800 are deployed in conjunction with the OS6600 family.



AQE Sequence of Events

- 1 Infected station attacks server (e.g., port scan)
- 2 IDP identifies the attack and source of attack
- 3 IDP notifies OmniVista of type of attack and source of attack
- 4 Trap or syslog event appears and network administrator is offered predetermined responses:
 - Shut down faulty user port
 - Create ACL on (port/VLAN/switch/network)
 - Move faulty MAC to quarantine VLAN (network wide)
- 5 Response is activated in the network



Advanced QoS

Quality of service is vital for ensuring mission critical applications receive expedited forwarding which reduces the chance of critical data flows getting lost, interrupted, or experiencing excessive delay. The OS6800 provides the necessary hardware queues, intelligence and granularity to properly identify, mark, and prioritize data flows ensuring mission critical applications run smoothly.

Simplified Manageability

The group mobility feature inherent in the OS6800 also provides plug and play mobility for the wired user by removing physical limitations. The OS6800 can use device information, data traffic or user identity to automatically and dynamically keep the user connected seamlessly to their resources, regardless of their location on the campus. Marketing, finance, operations, and sales could all be in the same meeting at a common physical location, yet have secure and dynamic access to their respective network resources.

Along with improved productivity and greater user satisfaction, group mobility allows self-service, reducing IT operational costs. Once initial rules for classification are defined, further configuration or intervention is not necessary.

The OS6800's virtual chassis design (up to eight switches) provides all the benefits of managing a chassis-based switch including: single IP address, simple and quick software upgrades and switch configuration changes, and a common look and feel with the modular OmniSwitch solutions.

Your IT person abandoned web management a long time ago because it was too slow, inefficient, and incapable. WebView is different since updates happen instantly across the network, removing the biggest obstacle to simple, fast management.

Alcatel's WebView gives true "real-world" capabilities back to web browser element management and allows IT staff of varying abilities to quickly master and configure new features. The web interface provides point and click ease with quick access to "help." WebView is full featured and can configure and manage all switch features.



OmniVista benefits include:

- PolicyView with OneTouch QoS centralizes and simplifies QoS configuration network wide.
- Resource Manager automates and centralizes management of switch software network wide with:
 - Bulk operations
 - Backup and restore
- SecureView simplifies and centralizes control of switch administration policies. Provides a high degree of granularity in access privileges.

Alcatel OmniSwitch 6800 Family



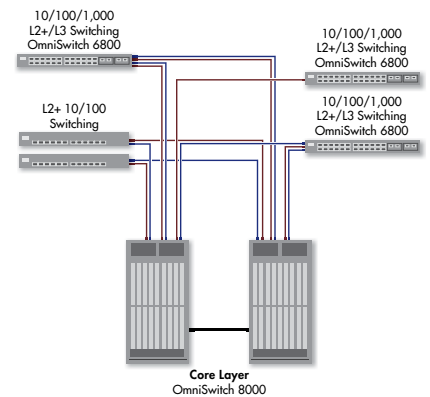
The AOS-based OS6800 uses an intuitive CLI that is common across the OmniSwitch line. A common and easy to use interface from the edge to the core reduces total cost of ownership by reducing training costs, simplifying and speeding up deployment, and making troubleshooting efforts more routine.

When the Alcatel enterprise network management solution OmniVista is used as the primary management tool, a small IT staff can effectively and efficiently manage a large network of Alcatel wired and wireless enterprise solutions, further reducing the man hours and support staff requirements.

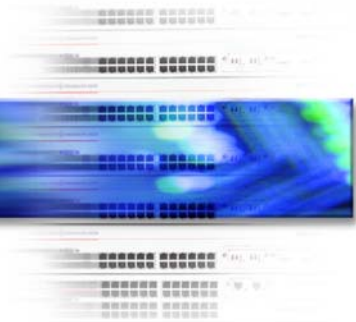
Gigabit to the Desktop Migration

The OmniSwitch 6800 series of switches provide a migration path to Gigabit on the LAN edge where high-speed and extensive features are needed. The OmniSwitch 6800 has the features necessary to provide intelligent, secure, and available networking for the most demanding applications and user satisfaction requirements.

- **Dynamic user mobility with authentication allows the user to connect securely anywhere and have access to their resources without admin intervention or reconfiguration of the network.**
- **802.1x, used in conjunction with emerging security technologies, provides a method to verify an end user and their device status. It then allows admission or quarantines the device to a safe environment where the deficiencies can be remedied.**
- **Support for the Alcatel Quarantine Engine (AQE). AQE works with OmniVista and emerging IDS/IPS systems to automatically identify the source of network-based attacks and react with admin defined actions including quarantining the device, turning off the switch port, or writing a filter rule to drop the offending traffic.**
- **High-speed throughput with 10 Gigabit Ethernet capability for the most demanding applications like video, real time imaging transfer, or large database transactions.**

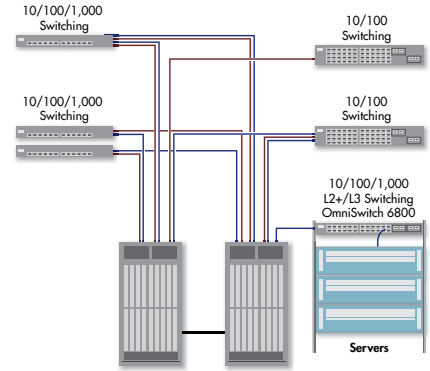


Gigabit to the desktop migration:
Intelligence, security and availability
support the most demanding applications.



Server Aggregation

OS6800's small form factor, high performance and rich features set make it a great server aggregation switch, especially for space-constrained data centers where the switch can be installed in the same rack as the servers.



Server aggregation:
Small form factor, high performance
provides required high availability.

L3 Aggregation/Distribution

The OmniSwitch 6800 placed in the distribution layer of three-tier networks provides high capacity, wire speed L2 switching, L3 routing and intelligent services near the edge of the network.

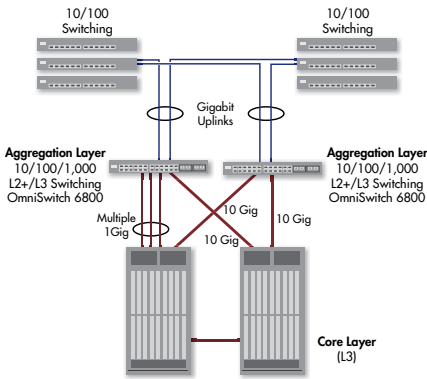
Small Enterprise Core

Even though the OS6800 stands only 1.75 inches tall, its 160 Gbps of switching capacity rivals some of today's conventional modular core chassis solutions. Combined with full L3 routing protocols, advanced network services and two-port wire speed 10 gigabit capability, the OS6800 makes a very capable and cost-effective core switch.

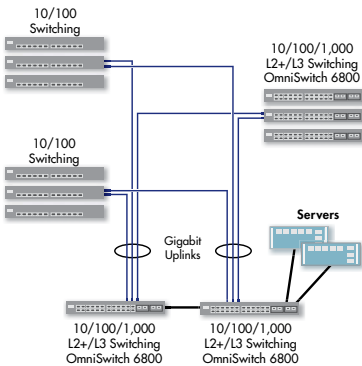
Summary

Alcatel's OmniSwitch 6800 family provides performance and investment protection for enterprises with rapidly changing network requirements. With OS6800s, enterprise network managers now meet mobility, security, and advanced L3 service needs within budget while protecting existing infrastructure investments.

The OS6800L offers a unique triple-speed upgrade feature. This future proofs your investment by providing a simple, economical way to upgrade the existing switch to GigE speeds and capacity. No longer is it necessary to replace the switch to meet increased bandwidth requirements to the desktop.



L3 aggregation/distribution:
High capacity and intelligence in the
distribution layer of three tier networks.



Small enterprise core:
160 Gbps switching capacity rivals
some modular core chassis solutions.

Alcatel OmniSwitch 6800 Family



Product Specifications

Features

Simplified Manageability

- Dual image and dual configuration file storage provides backup
- Intuitive Alcatel CLI with familiar interface reducing training costs
- Easy to use point and click web based element manager with built-in help for easy configuration of new technology features
- Remote telnet management or secure shell
- Port based, port mirroring for troubleshooting, supports four sessions with multiple sources-to-one destination configuration
- Port monitoring feature that allows capture of Ethernet packets to a file, or for on-screen display to assist in troubleshooting
- Human readable ASCII based config files for offline editing and bulk configuration
- IGMPv1/v2/v3 snooping to optimize multicast traffic
- BootP/DHCP client allows auto-config of switch IP information to simplify deployment
- Auto-negotiating 10/100/1000 ports automatically configure port speed and duplex setting
- Auto MDI/MDIX automatically configures transmit and receive signals to support straight thru and crossover cabling
- DHCP relay to forward client requests to a DHCP server
- SNMPv1/v2/v3
- Integration with SNMP manager OmniVista for network wide management
- Supports RFC 2819 RMON group (1-Statistics, 2-History, 3-Alarm & 9-Events)
- Network Time Protocol (NTP) for network wide time synchronization
- Alcatel Mapping Adjacency Protocol (AMAP) for building topology maps within OmniVista

VLAN Support

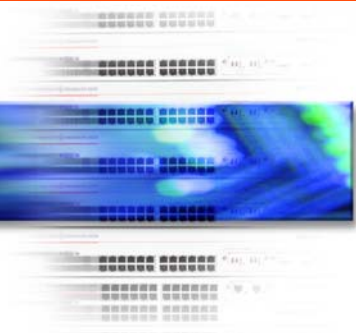
- 1,024 VLANs
- 4,094 VLAN tag value support
- Per port, 802.1Q and policy-based VLAN including authenticated VLAN

High Availability

- 802.1w rapid recovery spanning tree allows sub-second failover to redundant link
- Alcatel per-VLAN spanning tree (1x1)
- 802.1d spanning tree for loop free topology and link redundancy
- 802.1s multiple spanning tree
- Fast forwarding mode on user ports to bypass 30-second delay for spanning tree
- Static and 802.3ad dynamic link aggregation that supports automatic configuration of link aggregates with other switches.
- Broadcast storm control
- Redundant 1:1 power provided by the OS6800-BPS
- BPDU blocking – automatically shuts down switch ports being used as user ports if a spanning-tree BPDU packet is seen. Prevents unauthorized spanning-tree enabled attached bridges from operating.

Quality of Service

- 802.1p, TOS, DSCP marking
- QoS mapping: 802.1p to TOS/DSCP, TOS to 802.1p/DSCP, DSCP to 802.1p/TOS
- Classification per port, 802.1p(COS) value, MAC SA/DA, Ethertype, TOS precedence, DSCP value, ICMP code and type, IP SA/DA, IP protocol, TCP/UDP port range
- Eight egress queues per port to support strict and hybrid queuing (strict + weighted round robin queuing algorithm). Two egress queues are reserved for system use.
- Ingress bandwidth rate limiting per port/flow in 64 Kb increments
- Egress bandwidth rate limiting per port in 1 Mb increments



Product Specifications

Features

Advanced Security

- 802.1x multi-client, multi-VLAN support for per-client authentication and VLAN assignment
- Authenticated VLAN that challenges users with username and password and supports dynamic VLAN access based on user
- Support for host integrity check and remediation VLAN
- Support for Alcatel Quarantine Engine and quarantine VLAN
- Learned Port Security (LPS) or MAC address lockdown allows only known devices to have network access preventing unauthorized network device access
- RADIUS and LDAP admin authentication prevents unauthorized switch management
- Secure Shell (SSH), Secure Socket Layer (SSL) and SNMPv3 for encrypted remote management communication
- Access control lists to filter out unwanted traffic including denial of service attacks
- Access control lists (ACLs) are per port, MAC SA/DA, IP SA/DA, ICMP type and code, EtherType, TCP/UDP port

Performance

- Wire rate forwarding for 10/100/1000/10,000 port speeds
- Jumbo frames up to 9 KB
- 16 K MAC addresses

Routing Protocols

- RIPv1/v2
- IPX RIP/SAP
- OSPF ECMP
- VRRP
- PIM-SM
- DVMRP

User Ports

- OS6800-24, OS6800-48, OS6800-24L, OS6800-48L: 24 or 48 10/100/1000BaseT** RJ-45 ports on the front panel. The last four 10/100/1000 RJ-45 ports are combo ports. Each copper port is capable of auto-MDI/MDI-X sensing. The 10/100/1000BaseT ports will operate in full/half duplex mode when the speed is 10/100 Mbps. When operating in 1,000 Mbps, only full duplex mode is supported.
- OS6800-U24: 24 SFP (miniGBIC) ports that support Gigabit optical transceivers. The last four SFP ports are combo ports.

Stacking ports

- OS6800-24, OS6800-48, OS6800-24L, OS6800-48L: 2 built-in stacking ports that provide 10 Gbps full-duplex bandwidth per stacking port. OS6800 supports a fault tolerant looped stacking configuration.

Combo Ports

- OS6800-24, OS6800-48, OS6800-24L, OS6800-48L: Four Gigabit Ethernet SFP (miniGBIC) combo ports are located on the front panel. Users determine whether the miniGBIC or 10/100/1000 port will operate. The miniGBIC ports support full duplex mode only. Redundancy is provided if operational link fails..
- OS6800-U24: Four 10/100/1000BaseT combo ports are located on the front panel. Each copper port is capable of auto-MDI/MDI-X sensing. When operating in 1,000 Mbps, only full duplex mode is supported. The 10/100/1000BaseT ports will operate in full/half duplex mode when the speed is 10/100. Redundancy is provided if the operational link fails.

**Non-combo ports on OS6800-24L and OS6800-48L operate at 10/100, but are upgradeable to 10/100/1000 with the purchase of a software license

Alcatel OmniSwitch 6800 Family



Product Specifications

Features

- 10 Gig Uplinks**
- OS6800-48, OS6800-U24, OS6800-48L support an optional two port 10 Gig module that plugs into the rear of the chassis. Each 10 Gig port supports industry standard, XFP based, 10 GigE optical transceivers.
- Indicators**
- **LEDs per port:**
 - 10/100/1000: speed, link/activity
 - SFP: link/activity
 - XFP: link/activity
 - PoE ports: speed, link/activity/PoE applied
 - **System LEDs:**
 - System (OK) (chassis HW/SW status)
 - PWR (internal power supply status)
 - FAN (fan status)
 - TEMP (overtemp)
 - PRI (virtual chassis primary)
 - BPS (backup power status)
 - XFP 1 & 2 (10 Gig link status)
- Physical Dimensions**
- 17.32 x 16.73 x 1.73 in (W x D x H)
 - 44 x 42.5 x 4.4 cm (W x D x H)
- Weight**
- OS6800-48, OS6800-48L: 14.41 lbs/6.54 Kg
 - OS6800-24, OS6800-24L: 13.88 lbs/6.30 Kg
 - OS6800-U24: 13.16 lbs/5.97 Kg
- Connectors/Cabling**
- Management: one RJ-45 console interface configured as DTE for operation, diagnostics, status, and configuration information. Ship kit includes RJ-45 to DB-9 connector adaptor
 - AC power connector and BPS connector slot on rear of chassis
- Operating Environment**
- Operating temperature: 0 to 45 C
 - Storage temperature: -20 to 70 C
 - Operating relative humidity: 5 to 90% non-condensing
 - Storage relative humidity: 0 to 95% non-condensing
- Heat Dissipation**
- OS6800-48, OS6800-48L: 635 Btu/hour
 - OS6800-24, OS6800-24L: 362 Btu/hour
 - OS6800-U24: 386 Btu/hour
- Acoustic**
- 50 dB for non-PoE switch, 55 dB for PoE switch; standard: ISO 7779: 1999(E)
- MTBF**
- OS6800-48: 99,947 MTBF-Hr.
 - OS6800-48L: 99,947 MTBF-Hr.
 - OS6800-24: 131,489 MTBF-Hr.
 - OS6800-24L: 131,489 MTBF-Hr.
 - OS6800-U24: 132,805 MTBF-Hr.
- Standards**
- IEEE802.3, IEEE802.3u, IEEE802.3z, IEEE802.3x, IEEE802.3ab, IEEE802.3ae, IEEE802.1D, IEEE802.1q, IEEE802.3ad, IEEE802.1x, IEEE802.1w, IEEE802.1s, IEEE802.1p



Product Specifications

Features

EMC

FCC CRF Title 47 Subpart B (Class A & Class B limits. Note: Class A with UTP cables & Class B with STP cables)
VCCI (Class A & Class B limits. Note: Class A with UTP cables & Class B with STP cables)
AS/NZS 3548 (Class A & Class B limits. Note: Class A with UTP cables & Class B with STP cables)
BSMI (Class A & Class B limits. Note: Class A with UTP cables & Class B with STP cables)
CCC (China, Class A & Class B limits. Note: Class A with UTP cables & Class B with STP cables)
CE marking for European countries (Class A & Class B limits. Note: Class A with UTP cables & Class B with STP cables)
EN 55022: 1995 w/A1 & A2 (Emission Standard)
EN 61000-3-3: 1995
EN 61000-3-2: 2000
EN 55024: 1998 (Immunity Standards)
EN 61000-4-2: 1995
EN 61000-4-3: 1995
EN 61000-4-4: 1995
EN 61000-4-5: 1995 (Surge Level 4)
EN 61000-4-6: 1996
EN 61000-4-8: 1993
EN 61000-4-11: 1994
IEEE802.3: Hi-Pot Test (2250 VDC on all Ethernet ports)

Safety

US UL 60950
Canada CSA 60950
Germany TUV, GS Mark for Germany
Australia c-Tick for Australia
China CCC
CB Certification (per IEC 60950)

Number of power supplies

OS6800 family supports one internal AC power supply for chassis power and an optional external connector module on rear of chassis for use with the backup power supply solution

Input voltage & current ratings

3 A @ 100-240 VAC / 50-60 Hz, or DC -48 V, 8 A

Warranty

Limited lifetime hardware warranty: Limited to the original owner, and will be provided for up to five years after the product's End-of-Sales announcement. Faulty parts will be replaced via a five-(5) business day AVR (Advance Replacement) RMA.

Alcatel OmniSwitch 6800 Family



Ordering Info

Part Number	Description
OS6800-24	Gigabit Ethernet L3 stackable fixed configuration chassis in a 1U form factor with 24 operational ports. There are 24 10/100/1000 RJ-45 ports and four MiniGBIC ports. The last four RJ-45 ports (ports 21-24), and the miniGBIC ports (also numbered 21-24) are combo ports providing the user a choice of copper or fiber.* The miniGBIC ports support Gigabit Ethernet miniGBIC (SFP) optical transceivers, which can be ordered separately. There are also two stacking ports. Optional stacking cable, advanced routing and security software, and backup power are supported. Optional items can be purchased/ordered separately. Comes with user manuals on CD-ROM, 19" rack mounts, RJ-45 to DB-9 adaptor, and country specific power cord.
OS6800-48	Gigabit Ethernet L3 stackable fixed configuration chassis in a 1U form factor with 48 operational ports plus an optional two-port 10GigE module. There are 48 10/100/1000 RJ-45 ports, two stacking ports, plus four miniGBIC ports. The last four RJ-45 ports (ports 45-48), and the miniGBIC ports (also numbered 45-48) are combo ports providing a choice of copper or fiber.* MiniGBIC ports support Gigabit Ethernet miniGBIC (SFP) optical transceivers, which can be ordered separately. Optional stacking cable, advanced routing and security software, and backup power are supported. Optional items can be purchased/ordered separately. Comes with user manuals on CD-ROM, 19" rack mounts, RJ-45 to DB-9 adaptor, and country specific power cord.
OS6800-24L	10/100 Ethernet L3 stackable fixed configuration chassis in a 1U form factor with 24 operational ports. There are 20 10/100 RJ-45 ports (software key upgradeable to 10/100/1000) plus two stacking ports. There are also four 10/100/1000 RJ-45 combo ports (ports 21 -24), and four MiniGBIC combo ports (also numbered 21-24), providing a choice of either the copper (RJ-45) port or the fiber (miniGBIC) port of the same number.* MiniGBIC ports support Gigabit Ethernet MiniGBIC (SFP) optical transceivers, which can be ordered separately. Optional stacking cable, advanced routing and security software, and backup power supported. Optional items can be purchased/ordered separately. Comes with user manuals on CD-ROM, 19" rack mounts, RJ-45 to DB-9 adaptor, and country specific power cord.
OS6800-48L	10/100 Ethernet L3 stackable fixed configuration chassis in a 1U form factor with 48 operational ports. There are 44 10/100 RJ-45 ports (software key upgradeable to 10/100/1000), plus two stacking ports. There are also of four 10/100/1000 RJ-45 combo ports (ports 45-48) and four miniGBIC ports (also numbered 45-48) providing a choice of either the copper (RJ-45) port or the fiber (miniGBIC) port of the same number.* MiniGBIC ports support Gigabit Ethernet MiniGBIC (SFP) optical transceivers, which can be ordered separately. Optional stacking cable, advanced routing and security software, and backup power are supported and can be purchased/ordered separately. Comes with user manuals on CD-ROM, 19" rack mounts, RJ-45 to DB-9 adaptor, and country specific power cord.
OS6800-U24	Gigabit Ethernet L3 standalone fixed configuration chassis in a 1U form factor with 24 operational ports. There are 20 mini-GBIC (SFP) ports plus four combo ports and 10 Gig support. Combo ports consist of four 10/100/1000 RJ-45 and four additional mini-GBIC ports. Combo ports are labeled 21-24 and either copper or fiber can be used on a one for one basis. MiniGBIC ports support Gigabit Ethernet MiniGBIC (SFP) optical transceivers, which can be ordered separately. Comes with user manuals on CD-ROM, 19" rack mounts, RJ-45 to DB-9 adaptor, and country specific power cord.

*Combo ports on all models consist of four 10/100/1000 RJ-45 and four mini-GBIC ports. These combo ports allow the use of either the copper (RJ-45) port or the fiber (miniGBIC) port of the same number.



Ordering Info

Part Number	Description
OS6800-XNI-U2	OS6800 two-port 10 Gigabit Ethernet expansion module. Supports XFP optical transceivers, which can be ordered separately. 10 Gigabit Ethernet module currently supported on the OS6800-48/48L/U24 chassis.
OS6800-CBL-30CM	OS6800 30 centimeter stacking cable
OS6800-CBL-60CM	OS6800 60 centimeter stacking cable
OS6800-BPS-MOD	OS6800 DC-DC converter module. One required per OS6800 for backup power connection only.
OS6800-BP-B	OS6800 backup power supply bundle. Includes an external 2.5U chassis that can support OS6800-BPS modular power supplies. Ships with one OS6800-BPS, country specific power cord, OS6800-BPS-MOD and chassis connection cable.
OS6800-BPS	OS6800 modular 225w backup power supply. Provides backup power to one non-PoE switch. Ships with chassis connection cable and country specific power cord.
MiniGBIC	<p>MINIGBIC-LH-70 1000BaseLH: MiniGBIC Transceiver (SFP MSA) Supports single mode fiber over 1550nm wavelength with LC connector. Supports 9 micron single mode fiber up to a distance of 70km.</p> <p>MINIGBIC-LX 1000BaseLX: MiniGBIC Transceiver (SFP MSA) Supports single mode fiber over 1310nm wavelength with LC connector. Supports 9 micron single mode fiber up to a maximum distance of 10km.</p> <p>MINIGBIC-SX 1000BaseSX: MiniGBIC Transceiver (SFP MSA) - Supports multimode fiber over 850nm wavelength with LC connector. Supports 62.5 micron multimode fiber up to 300m or 50.0 micron up to 550m.</p>
10 Gigabit XFP	<p>10G-XFP-SR 10 Gigabit Ethernet optical transceiver. Supports multimode fiber over 850nm wavelength with an SC connector. Supports 50/62.5 micron fiber up to a maximum distance of 300m depending on fiber grade.</p> <p>10G-XFP-LR 10 Gigabit Ethernet optical transceiver. Supports single mode fiber over 1310nm wavelength with an SC connector. Supports 10 micron fiber up to a maximum distance of 10km.</p>
OS6800-SW-AR	OS6800 advanced routing software. Includes support for OSPF, PIM-SM and DVMRP
OS6800-AS	OS6800 Authentication Software w/MD5
OS6800-SW-SBR-N	OmniSwitch 6800 Authentication Services software bundled with Funk Software's Steel-Belted Radius Enterprise Edition for Microsoft Windows
OS6800-SW-SBR-S	OmniSwitch 6800 Authentication Services software bundled with Funk Software's Steel-Belted Radius Enterprise Edition for Sun Solaris

Alcatel OmniSwitch 6800 Family



OS6800 Service and Support

Part Number	Description
SupportBasic	One year 7x24 phone support, includes eService web access and free software releases
SupportPlus	One year 7x24 phone support, includes eService web access, free S/W releases and next business day arrival of replacement hardware
SupportTotal (Available only in N. America)	One year 7x24 phone support, software releases, eService Web access, same day 4-hour on site hardware replacement (labor and parts) 7 days a week, 24 hours a day. Excludes NMS and Authentication Services software.

www.alcatel.com/enterprise

Alcatel

26801 West Agoura Road
Calabasas, CA 91301 USA

Contact Center

(800) 995-2612 US/Canada

(818) 880-3500 Outside US

www.alcatel.com/enterprise

Product specifications contained in this document are subject to change without notice. Contact your local Alcatel representative for the most current information. Copyright © 2005 Alcatel Internetworking, Inc. All rights reserved. This document may not be reproduced in whole or in part without the expressed written permission of Alcatel Internetworking, Inc. Alcatel® and the Alcatel logo are registered trademarks of Alcatel. All other trademarks are the property of their respective owners.

P/N 031525-02 03/05

